

Concealed wall-mounted single-lever mixer -

35 860 970



- red brass, lead-free
- 2x supply connection 1/2" female thread (cold/hot), DN 15
- 1x female thread 1/2" outlet for wall spout
- 1x female thread 1/2" outlet
- 2x dust cover
- anti-water packing
- soundproofing
- gauge 100 mm

Rough can be rotated to position the lever on top or to the left of the spout.

Recommended miscellaneous



- | | |
|---|---------------|
| Extension 20 mm - | 12 869 970 90 |
| <ul style="list-style-type: none"> • Not suitable for combining with META PURE (36 86X 664-FF). • Not for combination with exposed trim parts 36 86X 664-FF0010 | |

Recommended miscellaneous



- | | |
|---|---------------|
| Extension 20 mm - | 12 870 970 90 |
| <ul style="list-style-type: none"> • Can only be combined with exposed trim parts 36 86X 664-FF. | |

Recommended miscellaneous

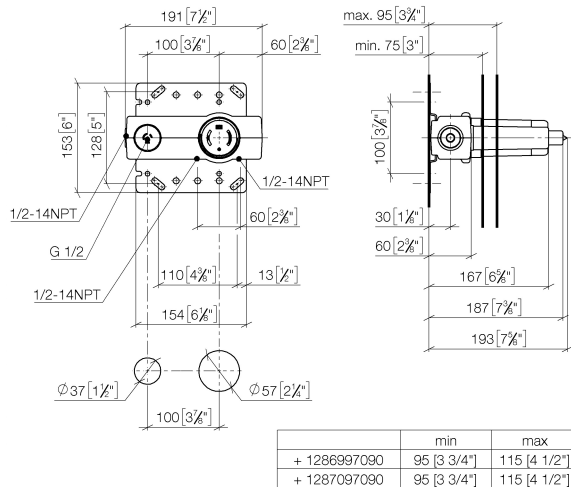


- | | |
|--|---------------|
| Adapter for reversed water connections - | 12 880 970 90 |
| <ul style="list-style-type: none"> • Not suitable for combining with META PURE (36 86X 664-FF). | |

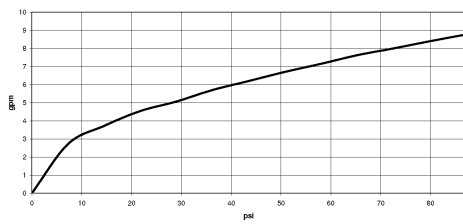
Concealed wall-mounted single-lever mixer -

35 860 970

mm [inches]



Flow rate chart



Codes & Standards

ASME
A112.18.1/CSA
B125.1



Concealed wall-mounted single-lever mixer -

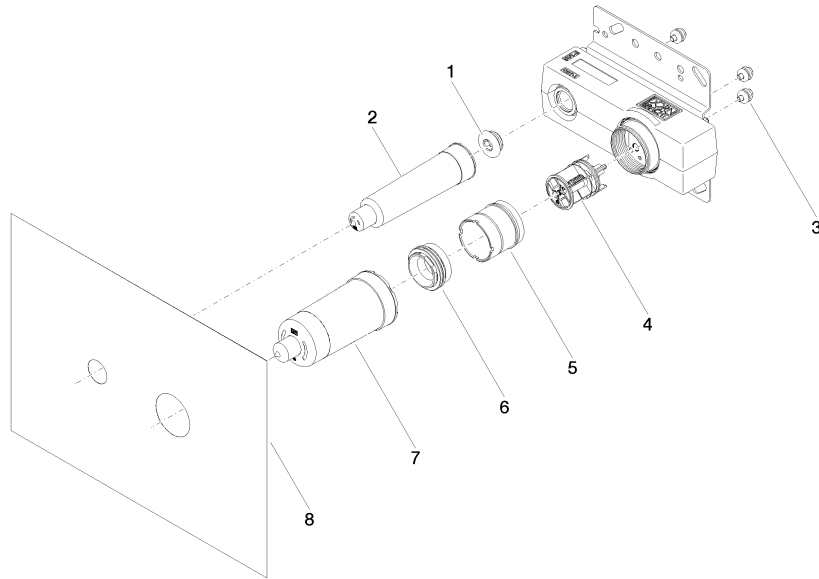
35 860 970

Certificates

IAPMO_N-4976 (2). IAPMO_6397 (2). IAPMO_4976 (1).

Concealed wall-mounted single-lever mixer -

35 860 970



Spare parts list

No.	Item Number	Name	Quantity used	Delivery time
1	04 31 20 006 00 90	plug	1	2
2	09 21 02 182 90	cap	1	2
3	90 23 01 091 00 90	set	3	2
4	90 31 20 107 00 90	plug	1	2
5	90 17 01 238 00 90	sleeve	1	2
6	90 24 04 349 00 90	threaded connector	1	2
7	09 21 02 176 90	cap	1	60
8	04 14 03 074 01 90	gasket kit	1	2